

# RAB LIGHTING

## BLED20



JOB NAME: \_\_\_\_\_  
 DATE: \_\_\_\_\_  
 TYPE: \_\_\_\_\_

### DESCRIPTION

42" high rectangular Bollard with (1) 20 watt LED fixture for a low level lighting applications. Equivalent to a 150 watt MH. Great for pathway lighting! IESNA Full Cutoff, Fully Shielded optics. 5 year warranty.

### SPECIFICATIONS

#### Ambient Temperature:

Suitable for use in 50C (122F) ambient temperatures

#### California Title 24:

BLED complies with California Title 24 building and electrical codes.

#### Cold Weather Starting:

The minimum starting temperature is -30°C

#### Color Stability:

RAB LED products significantly exceed Energy Star Requirements for Chromatic Stability during LM-80 Testing.

#### Color Uniformity:

RAB's range of CCT (Correlated color temperature) follows the guidelines of the American National Standard for Specifications for the Chromaticity of Solid State Lighting (SSL) Products, ANSI C78.377-2008.

#### Finish:

Chip and fade resistant polyester powder coat finish.

#### Fixture Efficacy:

64 Lumens per Watt

#### Gaskets:

High temperature silicone.

#### Green Technology:

BLEDs are Mercury, Arsenic and UV free.

#### Heatsink:

Cast aluminum thermal management system for optimal heat sinking. The BLED is designed for cool operation, most efficient output and maximum LED life by minimizing LED junction temperature.

#### Housing:

Precision die cast aluminum housing, lens frame.

#### IESNA LM-79 & IESNA LM-80 Testing:

RAB LED luminaires have been tested by an independent laboratory in accordance with IESNA LM-79 and 80, and have received the Department of Energy "Lighting Facts" label.

#### Junction Box:

Junction Box Not Included

#### LED Light Engine:

Multi-chip 10W high output long life LED Driver: Constant Current, Class II, 120V-240V, 50/60 Hz, 350mA

#### Lumen Maintenance:

The LED will deliver 70% of its initial lumens at 50,000 hours of operation.

#### Mounting:

42" Bollard

#### Patents:

The BLED20 RCL design is protected under patents pending in Canada, U.S., China, Taiwan and Mexico.

#### Total Harmonic Distortion:

THD = 8.4%

#### UL Listing:

Suitable for wet locations. Suitable for mounting within 4' of the ground.

#### Warranty:

RAB LED fixtures give you peace of mind because both the fixture and light engine components are backed by RAB's 5 Year Warranty. For more information,

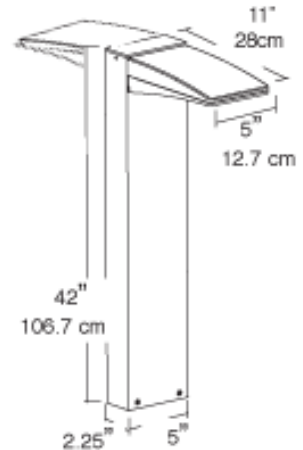
#### Color:

Bronze

#### Weight:

19.6

### DIMENSIONS



### ORDERING INFORMATION

LED Lamp supplied with fixture	Total Watts	Lamp Type	Lamp Base	Ballast	Starting Amps/ Operating Amps				Input Watts	LAMP ANSI	Initial Lumens	Lamp Hours
					120V	208V	240V	277V				
	20	LED	Thermal Heatsink	Constant Current	0.5	0.5	0.5	0.125	22.0	N/A	1401	5000
<b>Factory Installed Options</b> Add suffix to Catalog Number					Photocontrol for 277V (P/PC)							
					Photocontrol for 120V (/PC)							

Note: Specifications may change without notice

**RAB Lighting, Inc.** • 170 Ludlow Ave • Northvale, NJ 07647 • Tel: 888 RAB-1000 • Fax: 888 RAB-1232 • www.rabweb.com  
 © 2011 RAB Lighting, Inc.